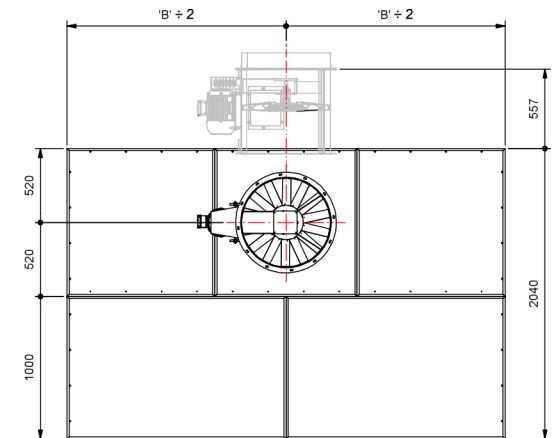


Dimensions

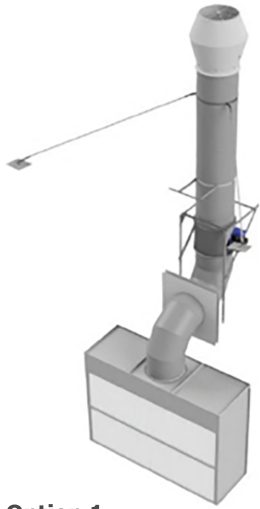
Model SDF	A (mm's)	B (mm's)	D (mm's)	No. of Fans	Motor Size (kW)
200	2000	2080	560	1	1.5
250	2500	2580	630	1	2.2
300	3000	3080	710	1	3.0
350	3500	3580	710	1	3.0
400	4000	4080	710	1	4.0
450	4500	4580	710	1	4.0
500	5000	5080	800	1	5.5
600	6000	6080	710	2	3.0
700	7000	7080	710	2	3.0
800	8000	8080	710	2	3.0



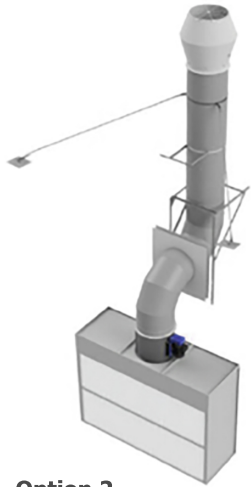
SPRAY DIRECT LTD
 HERONDEN ROAD
 PARKWOOD INDUSTRIAL ESTATE
 MAIDSTONE, KENT
 ME15 9YR
 TEL: 0345 873 0263
 EMAIL:
 SALES@HITECSPRAY.CO.UK

COPYRIGHT NOTICE
 THIS DRAWING IS THE
 CONFIDENTIAL AND
 COPYRIGHT PROPERTY OF
 SPRAY DIRECT LTD AND
 MUST NOT BE COPIED OR
 DISCLOSED TO A THIRD
 PARTY WITHOUT PRIOR
 WRITTEN CONSENT.

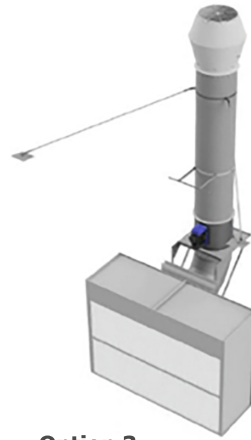
DFB Master Drawings			CONTRACT NO.	ISSUED BY
			~	A.C.
MATERIAL	FINISH	DATE	SCALE	PAPER
N?A	RAI7043 (If Applicable)	14/01/2019	1:25	A2
DO NOT SCALE - IF IN DOUBT ASK!		DRAWN BY	SHEET	REVISION
		A.C.	1 / 5	A



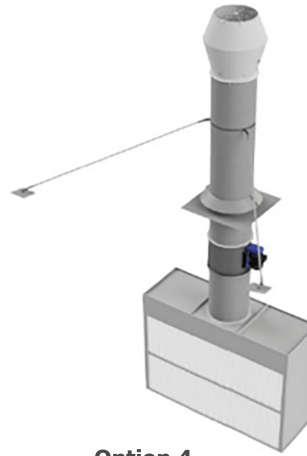
Option 1



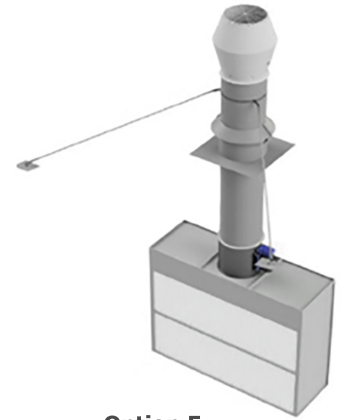
Option 2



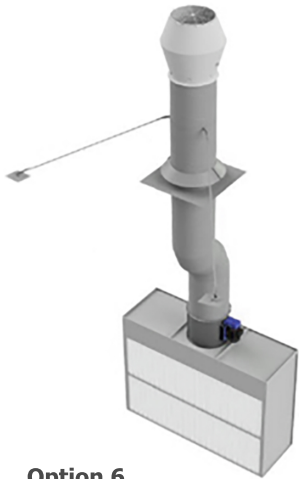
Option 3



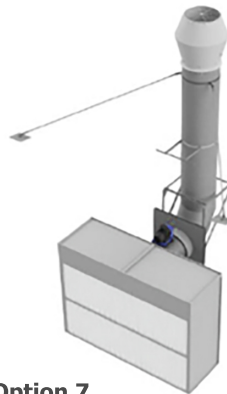
Option 4



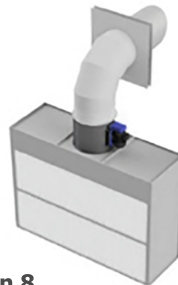
Option 5



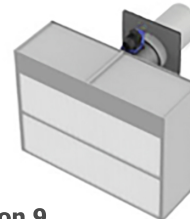
Option 6



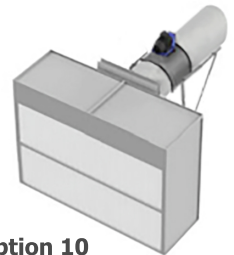
Option 7



Option 8



Option 9



Option 10